

# Clarke™



## STORAGE BIN RACKS

Model No. CSR47 & CSR94

PART NO: 4501630, 4501620

## OPERATING & ASSEMBLY INSTRUCTIONS



## INTRODUCTION

Thank you for purchasing this CLARKE Storage Bin Rack. Before attempting to assemble the unit, please read this manual thoroughly and follow the instructions carefully.

## GUARANTEE

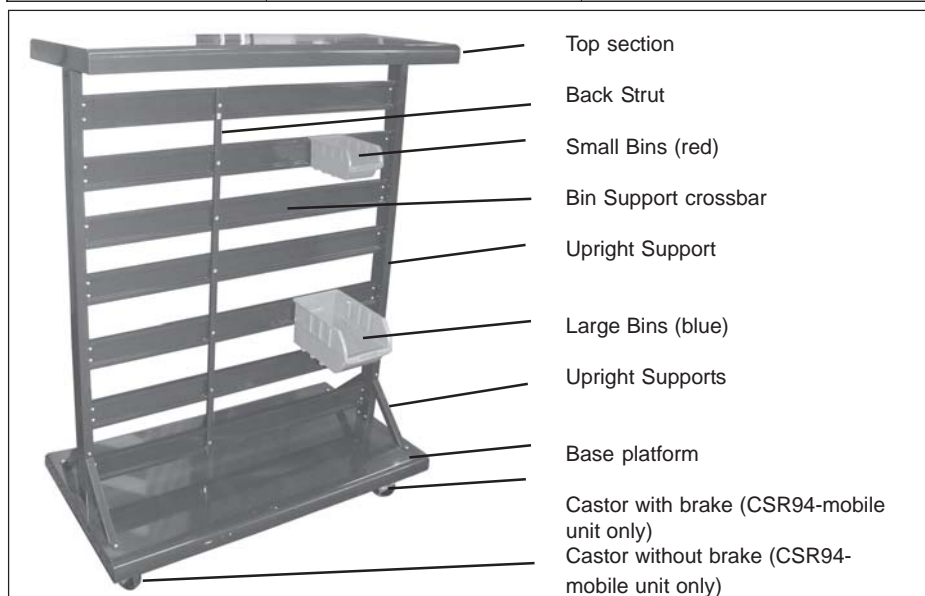
This product is guaranteed against faulty manufacture for a period of 12 months from the date of purchase. Please keep your receipt which will be required as proof of purchase.

This guarantee is invalid if the product is found to have been abused or tampered with in any way, or not used for the purpose for which it was intended.

Faulty goods should be returned to their place of purchase, no product can be returned to us without prior permission. This guarantee does not effect your statutory rights.

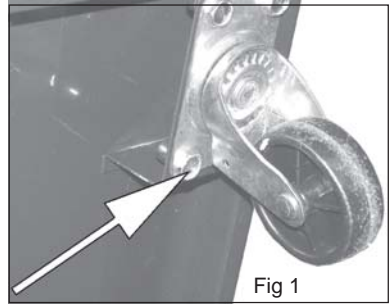
## SPECIFICATION

Model	CSR47 single sided	CSR94 Mobile double sided
Load capacity	1.5kgs/pc for small, 2.5kgs/pc for large	1.5kgs/pc for small, 2.5kgs/pc for large
Dimensions L x W x H	940 x 280 x 1150mm	940 x 500 x 1245mm
Weight	23kg	35kg

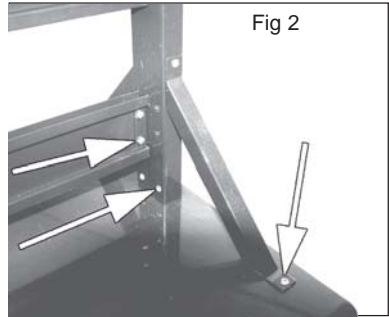


# ASSEMBLY

1. Turn the base on its back and attach the castors using the hexagonal headed bolts supplied as shown in Fig.1. (CSR94 mobile racks only)
2. Turn the base the right way up and engage the foot operated brake on one pair of castors to hold the unit steady. (CSR94 Mobile racks only)



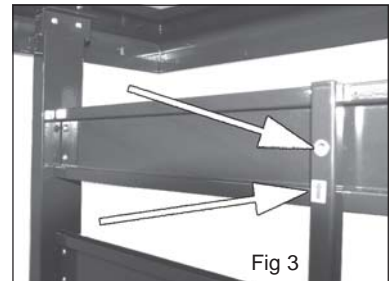
3. Assemble the upright supports and the support brackets as shown in Fig.2 using the cross-headed screws supplied.



4. Connect the supporting bars to the upright supports using the bolts and nuts supplied.

Note; Assemble all the parts loosely before tightening all the bolts together.

5. Install the top shelf using two more pairs of machine screws
6. Connect the back strut to each supporting bar with the upper end shown by the arrow shown in Fig 3 using the remaining cross-headed screws.



6. Hang the storage bins by their lips from the top edge of the supporting bars.

Your storage bin rack is now ready to use.

A SELECTION FROM THE VAST RANGE OF

# Clarke<sup>TM</sup>

## QUALITY PRODUCTS

### **AIR COMPRESSORS**

*From DIY to industrial. Plus air tools, spray guns and accessories.*

### **GENERATORS**

*Prime duty or emergency standby for business, home and leisure.*

### **POWER WASHERS**

*Hot and cold, electric and engine driven - we have what you need.*

### **WELDERS**

*Mig, Arc, Tig and Spot. From DIY to auto/industrial.*

### **METALWORKING**

*Drills, grinders and saws for DIY and professional use.*

### **WOODWORKING**

*Saws, sanders, lathes, mortisers and dust extraction.*

### **HYDRAULICS**

*Cranes, body repair kits, transmission jacks for all types of workshop use.*

### **WATER PUMPS**

*Submersible, electric and engine driven for DIY, agriculture and industry.*

### **POWER TOOLS**

*Angle grinders, cordless drill sets, saws and sanders.*

### **STARTER/CHARGERS**

*All sizes for car & commercial use.*



**Clarke** INTERNATIONAL

For spare parts and servicing, please contact your nearest dealer, or Clarke International on

**020 - 8988 - 7400**

e-mail: [Parts@clarkeinternational.com](mailto:Parts@clarkeinternational.com) e-mail: [Service@clarkeinternational.com](mailto:Service@clarkeinternational.com)